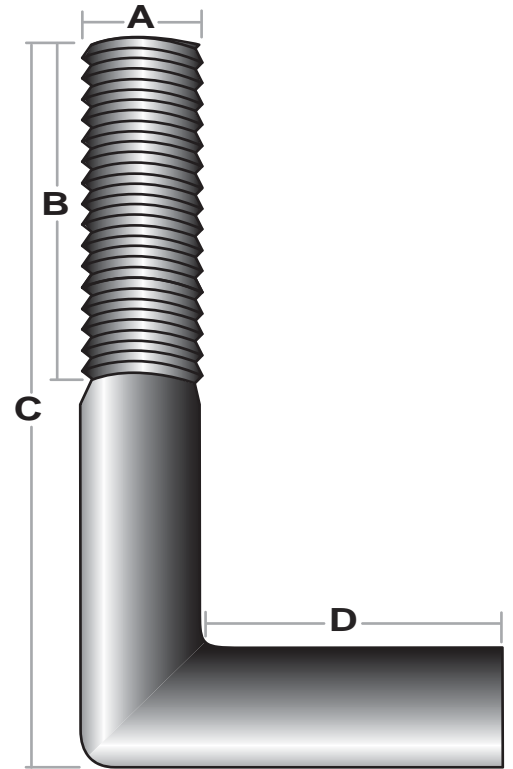


## 'L' Shape Anchor



MATERIAL: \_\_\_\_\_

FINISH: \_\_\_\_\_

Company: \_\_\_\_\_

Buyer: \_\_\_\_\_

Phone: \_\_\_\_\_

Fax: \_\_\_\_\_

Information on dimensions

Qty.	A	B	C	D